

SQUIRTER WASHERS (DIRECT TENSION INDICATOR)

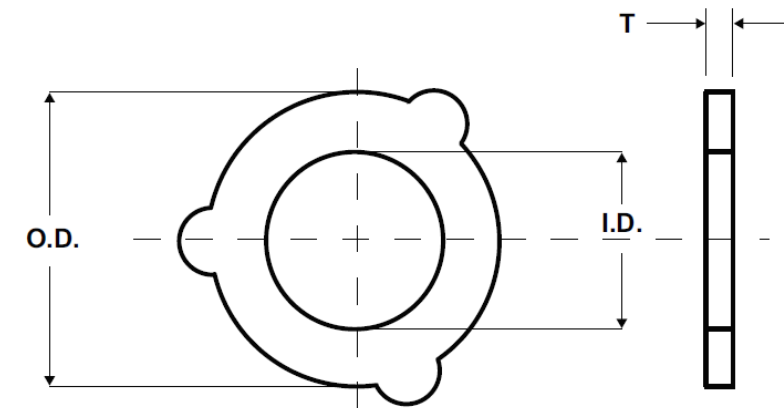


STRUCTURAL WASHERS 35-45HRC AS1252 / HOT DIP GALVANISED / PLAIN FINISH

Part	Size	OD (mm)	ID (mm)	THK (mm)	Pack	Pack Wgt (Kg)
WRST?M12	M12	25.7	14.0	3.1	1000	10.06
WRST?M16	M16	32.4	18.0	3.1	800	12.27
WRST?M20	M20	37.4	22.0	3.1	500	10.47
WRST?M22	M22	42.4	24.0	3.4	350	8.06
WRST?M24	M24	48.4	26.0	3.4	350	15.75
WRSTGM27	M27	54.1	30.0	3.4	420	19.86
WRST?M30	M30	58.1	33.0	3.4	250	13.36
WRST?M36	M36	70.1	39.0	3.4	200	22.00



*For further technical
Information please contact
Southeast Fasteners direct*



Southeast Fastener	ABN 30117890114	
Larapinta Branch:	71 Axis Place, LARAPINTA QLD 4110	TEL: 07 3273 4400 FAX: 07 3272 4999
Eagle Farm Branch:	109A Links Avenue South, EAGLE FARM QLD 4009	TEL: 07 3268 77 88 FAX: 07 3268 5689

SQUIRTER WASHERS (DIRECT TENSION INDICATOR)

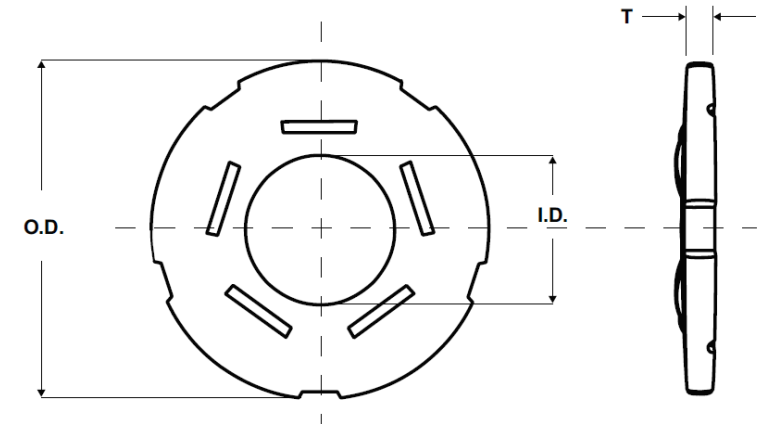


SQUIRTER™ DTI (DIRECT TENSION INDICATOR) WASHERS ASTM F959M / MECHANICALLY GALVANISED



*For further technical
Information please contact
Southeast Fasteners direct*

Part	Size	No. of Bumps	OD (mm)	ID (mm)	THK (mm)	Pack	Pack Wgt (Kg)
WDSTGM16	M16	4	36.0	17.0	3.4	500	7.85
WDSTGM20	M20	5	46.0	21.0	3.8	250	8.35
WDSTGM24	M24	5	55.0	25.0	4.4	200	11.28
WDSTGM30	M30	7	68.0	32.0	4.4	125	6.89
WDSTGM36	M36	8	81.0	38.0	5.0	50	4.43



Southeast Fastener	ABN 30117890114	
Larapinta Branch:	71 Axis Place, LARAPINTA QLD 4110	TEL: 07 3273 4400 FAX: 07 3272 4999
Eagle Farm Branch:	109A Links Avenue South, EAGLE FARM QLD 4009	TEL: 07 3268 77 88 FAX: 07 3268 5689

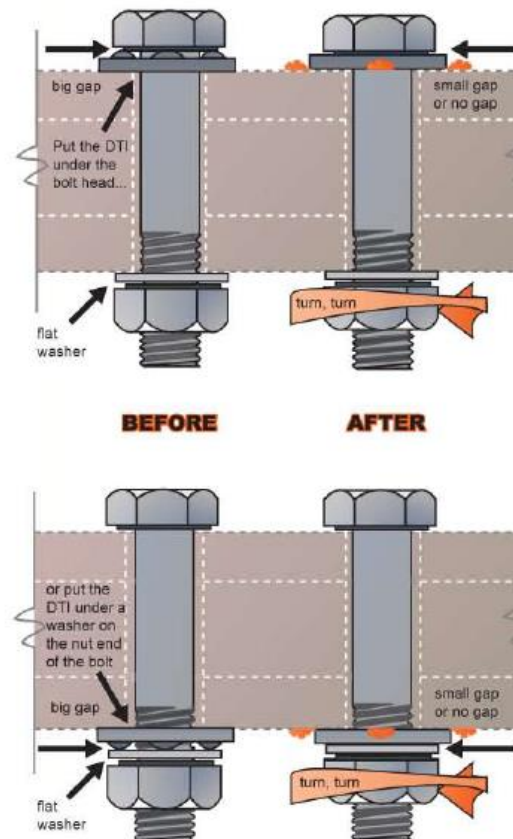
SQUIRTER WASHERS

Demystifying the tensioned 8.8 bolt myth 'If it's torqued, it's tight!'

Torque is the twisting force it takes to spin a nut along the threads of a bolt. You can build up plenty of torque while installing a bolt and never actually tighten it successfully. This torque build-up can be caused by many different factors common to jobsites: dirt, dust, heat, rust, rain, condensation, poor storage, damaged threads, and poor lubrication. Or a wrench not being able to deliver enough torquing power. You may think that driving bolts to a certain torque may be the best way to bolt... What you'll find..... is a lot of loose bolts.

TENSION is the goal of bolting.

Tension is produced by stretching the bolt. You want tension because bolt stretch draws up the beams, clamping them together... Tension is the goal of bolting. It's the tension in the bolt that clamps the steel beams together. With tension in mind...Direct Tension Indicators were created. This type of flat washer is manufactured with bumps on the top. Whether you use it under the head or on the nut end, the goal is to crush the bumps. The bumps will not crush unless the bolt has been TENSIONED, no matter how much torque is applied. Once the bumps have been crushed, inspection is with a feeler gage. When using SQUIRTER™ DTI's (Direct Tension Indicator), once calibrated, bump compression can be gauged by the volume of squirt without a feeler gage.



*For further technical
Information please contact
Southeast Fasteners direct*

Southeast Fastener	ABN 30117890114	
Larapinta Branch:	71 Axis Place, LARAPINTA QLD 4110	TEL: 07 3273 4400 FAX: 07 3272 4999
Eagle Farm Branch:	109A Links Avenue South, EAGLE FARM QLD 4009	TEL: 07 3268 77 88 FAX: 07 3268 5689

LOAD INDICATOR WASHERS



LOAD INDICATOR WASHER ASTM F959M / MECHANICAL GALVANISE

Part	Size	OD (mm)	ID (mm)	Thk (mm)	No. of Bumps	Keg	Keg Wgt (Kg)	Price MGALV
WISTGM16	M16	36.0	17.0	3.4	4	1250	22.7	✓
WISTGM20	M20	46.0	21.0	3.8	5	750	27.2	✓
WISTGM24	M24	55.0	25.0	4.4	5	450	27.2	✓

FEELER GAUGE

Part	Size	Pack	Pack Wgt (Kg)	Stock
XGF013	0.13	10	0.01	✓

*For further technical
Information please contact
Southeast Fasteners direct*

Southeast Fastener	ABN 30117890114	
Larapinta Branch:	71 Axis Place, LARAPINTA QLD 4110	TEL: 07 3273 4400 FAX: 07 3272 4999
Eagle Farm Branch:	109A Links Avenue South, EAGLE FARM QLD 4009	TEL: 07 3268 77 88 FAX: 07 3268 5689